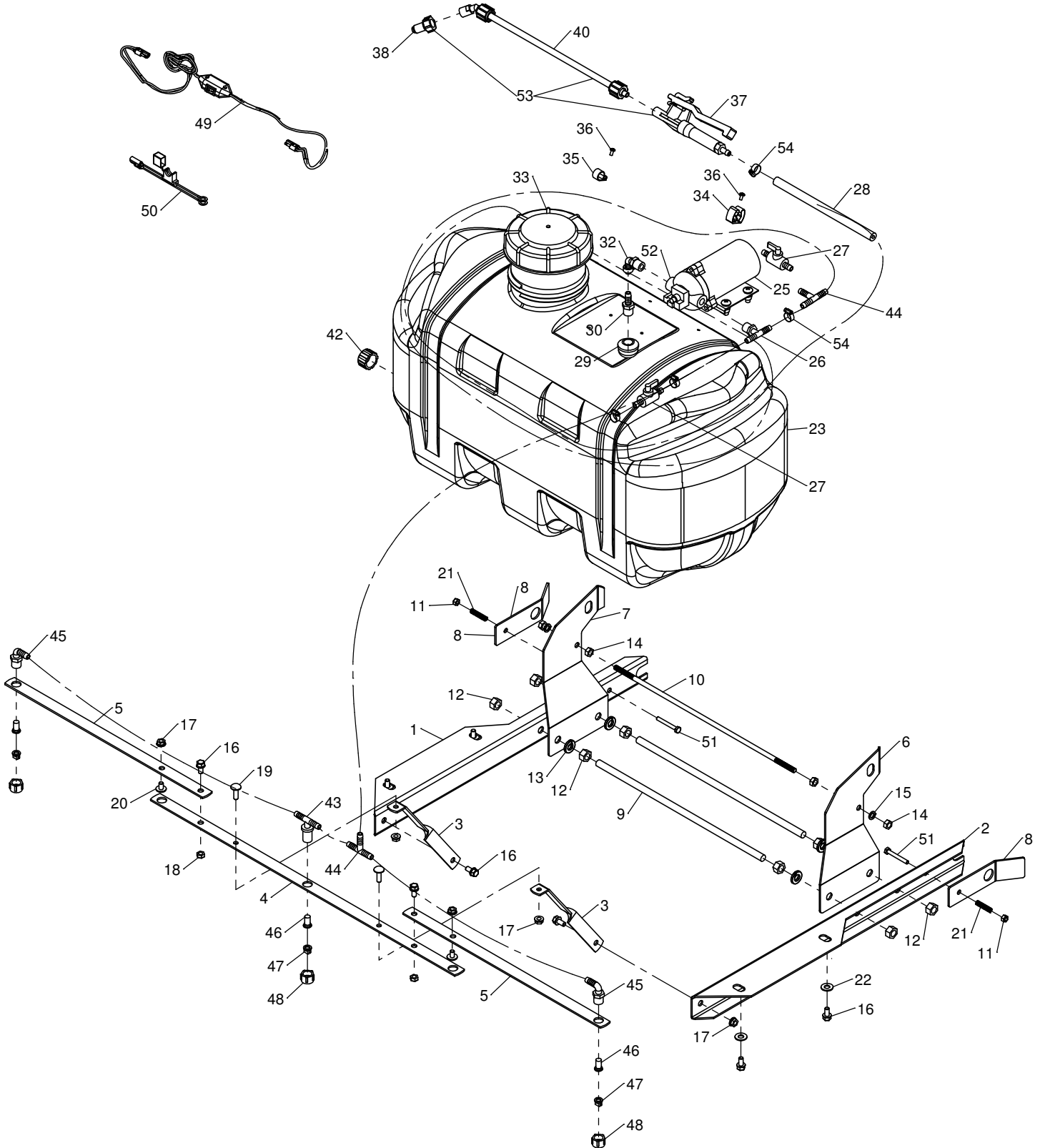


25 Gallon Tractor Mounted Sprayer for X700

PIN Prefixes:	Model Number	Description	PIN Prefix
	LP22862	25 Gal. Tractor Mounted Sprayer for X700 Series Tractor, Click-N-Go	

(To file a warranty claim for this product, you will need to enter this PIN Prefix into correct field on the JD WIN system.)



ITEM #	DESCRIPTION	PART #	QTY.
1	Left Support 25 Mtd CNG	ST43534	1
2	Right Support 25 Mtd CNG	ST43533	1
3	Boom Support Bracket	ST43168	2
4	Boom	ST43169	1
5	Side Boom	ST43170	2
6	X700 Bracket Right	ST43396R	1
7	X700 Bracket Left	ST43396L	1
8	Latch	ST43303	2
9	1/2" Thread Rod x 17"	ST43296	2
10	3/8"x18.5" Rod	ST43397	1
11	1/4 Nylock Nut	ST65017	2
12	1/2" Nut	ST65034	8
13	1/2" Lock Washer	ST65035	4
14	3/8 Nut	ST65018	4
15	3/8" Lock Washer	ST65004	2
16	5/16 x 5/8 Flange Bolt	ST65011	8
17	5/16 Flange Nut	ST65008	6
18	5/16" Lock Nut	ST65032	2
19	5/16"x1" Truss Head Bolt	ST65033	2
20	5/16 x 1/2 Truss Head Bolt	ST65031	2
21	Spring	ST43271	2
22	3/8 Flat Washer	ST65003	4
23	Tank 25 Gallon Rectangular	ST43507	1
24	#10-24 x 1" Truss Head	ST65001	4
25	Pump 2.2 GPM 100 PSI	ST43918	1
26	3/8NPT x 3/8Barbed, TEE	ST43235	1
27	3/8 Barbed, In-line Valve	ST43014	2
28	Hose, Black Rubber 3/8", Per Foot	ST43286	19ft
29	Sump Strainer 3/8"	ST43258	1
30	3/8" Straight Barbed Fitting	ST43182	1

ITEM #	DESCRIPTION	PART #	QTY.
32	3/8NPT x 3/8 Barbed, Elbow	ST43183	1
33	Tank Lid 6"	ST43175	1
34	Holder for Spray Wand	ST43287	1
35	Hose Holder 3/8"	ST43191	1
36	#10-24 x 3/8" Truss Head	ST65000	2
37	Spraywand Valve	ST43124	1
38	Spray Wand Brass Tip	ST43514	1
40	Spray Wand Extension	ST43515	1
42	Drain Cap	ST43516	1
43	3/8 Barbed Tee, w/ Nut	ST43192	1
44	3/8 Barbed, TEE	ST43013	2
45	3/8" Elbow Fitting w/Nut	ST43011	2
46	Spray Tip Screen	ST43016	3
47	Spray Tip, 11008EVS	ST43466	3
48	Tip Fiting Cap Nut	ST43012	3
49	Wire Harness Switch	ST43472	1
50	Wire Harness Battery	ST43483	1
51	1/4"x2" Bolt	ST65036	2
52	Pump Head, Replacement	ST43209	1
53	Spray Wand w/ Tip	ST43238	1
54	1/2 Hose Clamp, Screw Type	ST43652	7
-	Label, John Deere	ST43487	1
-	Label, Caution (English)	ST43488	1
-	Label, 25 Gallon	ST43489	1